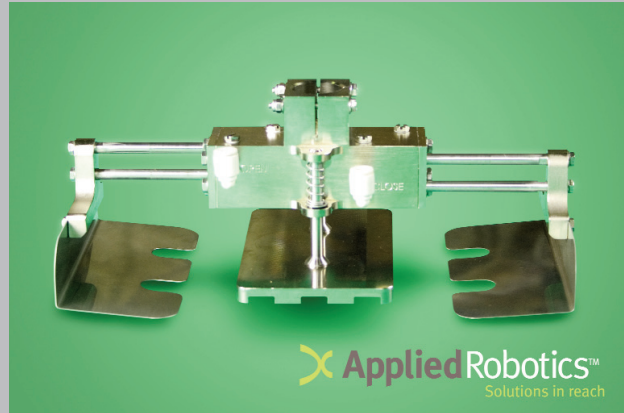


# Meat Gripper

Applied Robotics' meat gripper is designed to handle all types of meat fish, and cheese in various forms; fresh, frozen and sliced.



## Features

- The gripper can pick and place a variety of food products such as fresh meat, fish cheese, bacon, and many other non-uniform products. In addition to fresh, cooked and frozen products are also opportunities to apply this gripper in a stable and reliable manner.
- Manufactured from light weight materials, which are FDA and USDA approved, allows sanitization to be performed quickly and easily, adhering to all production cleaning guidelines.
- Based upon the designs extremely low weight, production speed robots are optimized for the best performance available in a pick and place system.
- The gripper's rapid open and close times and consistent, smooth movements make it a natural for use on all high speed robots available today.
- **In addition to food, hard to handle non-uniform products in a variety of industries makes this gripper a good choice when performance and speed are critical to your automation needs.**

## Benefits

- Hygienic -- washdown safe
- Unique pick up head enables portions or groups of portions to be loaded gently, accurately and quickly into trays, thermoformers or other packaging.
- In multiple head operation, each head can be programmed to produce a different size or type of pack format

## Options

- Collision sensing device options available
- Easily integrated and integration assistance available
- Robot adapter plates
- Various grip plates
- Various center platens

## Customization

- We can customize the gripper's size, stroke, lower plates, center platen and mounting to handle any application.

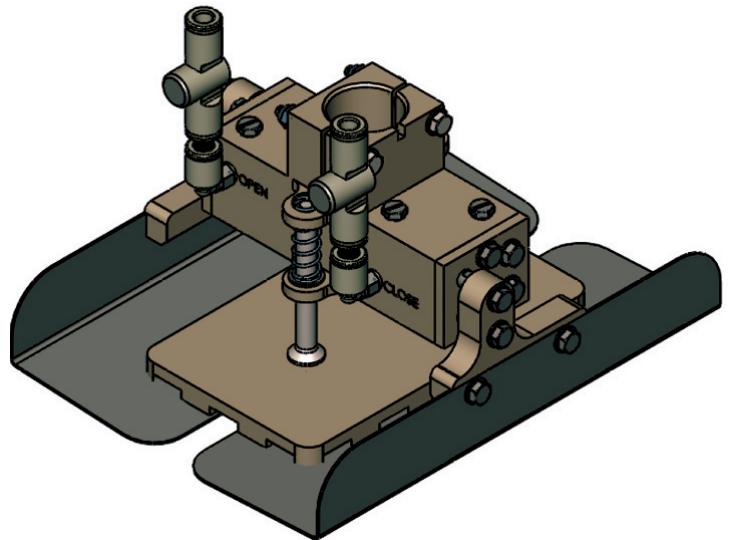
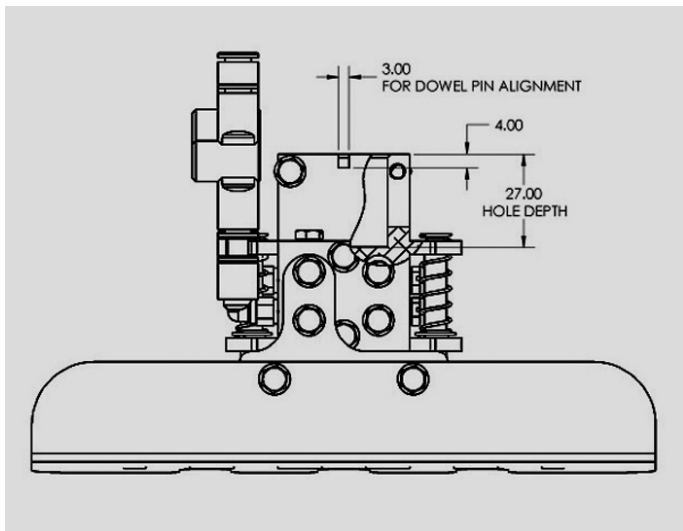
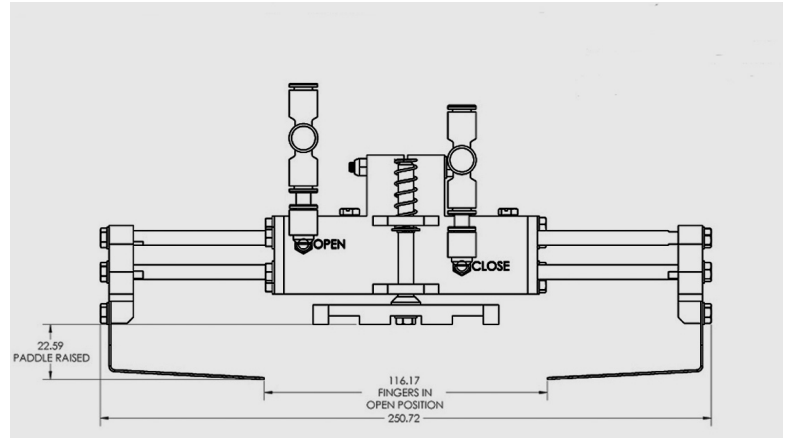
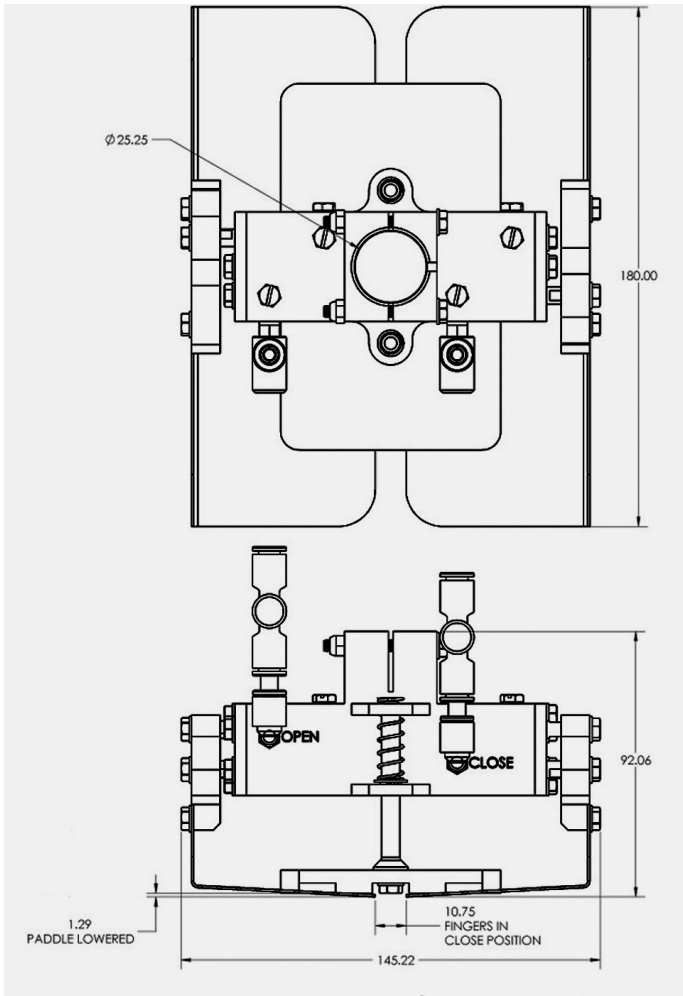
## General Specifications

Gripper Weight	0.6kg
Gripper Opening	120mm nominal
Gripper open/close rate	< 65 ms

## Applications

- Fresh, frozen or sliced beef, chicken, pork, fish, bacon, beef patties and cheese.

Please visit [www.appliedrobotics.com](http://www.appliedrobotics.com) for solid models and video. We are a solutions provider. If you don't see what you need, call us. (800)309-3475.



648 Saratoga Road  
 Glenville, NY 12302 USA  
 518 384 1000 tel  
 518 384 1200 fax

29193 Northwestern Highway [www.appliedrobotics.com](http://www.appliedrobotics.com)  
 Southfield, MI 48034 USA  
 248 358 3677 tel  
 248 358 2897 fax

