

Mecha Industry **MHD Miniature Servo Hand**

MHD Miniature Servo Hand is an intelligent Servo hand. It is suited for environments in which air cannot be used and processes require gripping force adjustment. It is a low cost, compact servo hand with high stiffness and precision.

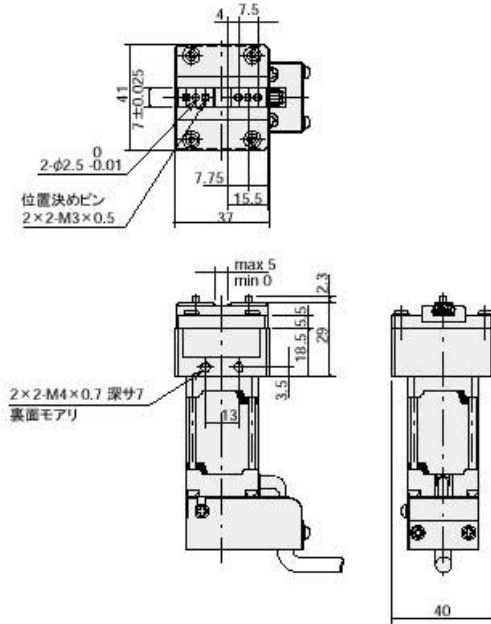


Motion Stroke (mm): 5.9
 Grip Force (N): 5.5
 Repeatability (mm): ± 0.03

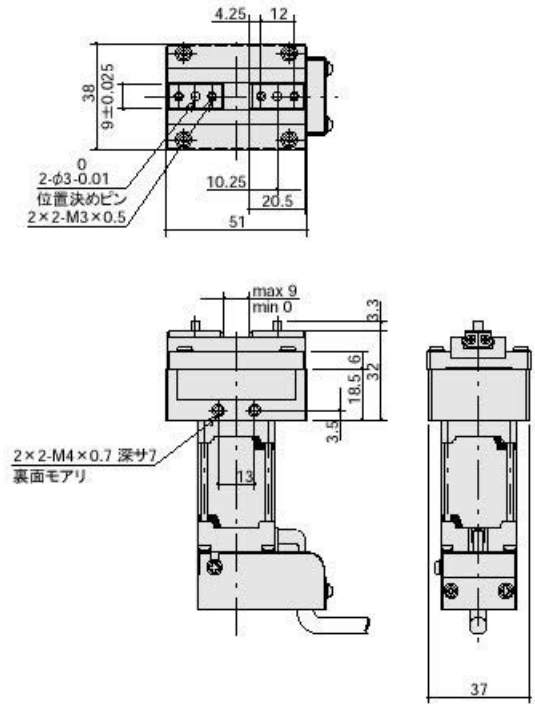
Specification:

Item	Unit	NHD05-5	MHD05-9	MHD20-40
Motion Stroke	mm	5	9	40
Max. Finger Length	mm	80	90	150
Grip Force	N	5	5	20
Motion Time (10%)	sec	0.022	0.037	0.1048
Motion Time (Full Stroke 100%)	sec	0.011	0.018	0.03375
Repeatability	mm	+/- 0.01	+/- 0.01	+/- 0.01
Settle Accuracy	mm	+/- 0.05	+/- 0.05	+/- 0.05
Motor Type	W	CM1-C-11L30-S(18W)	CM1-C-11L30-S(18W)	CM1-X-17L30 (18W)
Control Method		Closed Loop Vector Control	Closed Loop Vector Control	Closed Loop Vector Control
Encoder		Incremental Magnetic Encoder 50,000 Pulse/Rev.	Incremental Magnetic Encoder 50,000 Pulse/Rev.	Incremental Magnetic Encoder 50,000 Pulse/Rev.
Input Power Supply	V	DC24V +/- 10%	DC24V +/- 10%	DC24V +/- 10%
Ambient Temperature	Degree C	0-40	0-40	0-40
Moment Mx	Nm	0.52	2.6	0.85
Moment My	Nm	0.52	2.6	0.85
Moment Mz	N.m	0.35	1.14	0.89
Moment F	N	32	144	57
Mass	Kg	0.41	0.46	0.7

NHD0505



MHD05-9



MHD20-40

